

Incredible **40,000** hrs

### GENERAL DESCRIPTION

Neptun's 5" & 6" LED Downlight Retrofit kits feature rugged design and versatility to make it an excellent choice for new construction or retrofit applications. The LED-DL56 series retrofit kit features excellent optics for increased visibility. The 120V Analog/Triac dimming ensures increased energy savings. Offered in a variety of wattages and color temperatures, it can replace existing Incandescent systems up to 85 Watts and easily fits in both 5" & 6" Can Lights.

### APPLICATION

- Hotel Lighting
- Soffit Lighting
- Hallway Lighting
- Office Lighting
- Corridor Lighting

### STRUCTURE, MATERIALS, & FEATURES

- Frosted polycarbonate lens over LED's for even illumination.
- Cast aluminum heat sink and frame for excellent thermal management.
- Flicker Free Analog/Triac dimming system operates on 120VAC.
- Offered in various color temperatures. (2700°, 3000°K, 4100°K, 5000°K)
- Supplied with E26 base adapter to easily install in existing can lighting.
- Instant-On flicker-free Cold Start and Hot Re-Start.
- High power factor, low THD driver.
- High Output LED's.
- Up to 15 year maintenance free operation.
- 5 Year Warranty.

### ORDERING INFORMATION

Sample Number: LED-DL56-015-120V-ADIM-827  
Custom options and accessories available. Please consult factory

| Series                           | Wattage                  | Driver                                  | Color Temp   |
|----------------------------------|--------------------------|---|--|
| LED-DL56 = 6" Downlight Retrofit | 015 = 15 W<br>020 = 20 W | 120V-ADIM = 120VAC Analog/Triac Dimming | 827 = 2700°K<br>830 = 3000°K<br>841 = 4100°K<br>850 = 5000°K |



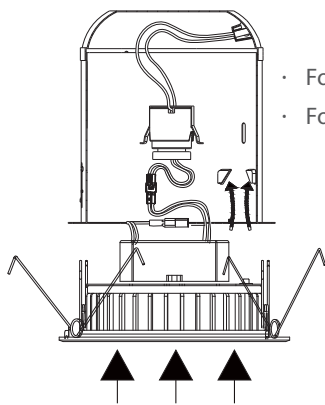
### PRODUCT INFORMATION

| Model No.                  | Watts | Input Line Current @ 120VAC | Power Factor | THD  | Color Temp. CCT (°K) | CRI | Lumens | Lm/W | Beam Angle |
|----------------------------|-------|-----------------------------|--------------|------|----------------------|-----|--------|------|------------|
| LED-DL56-015-120V-ADIM-827 | 15    | 0.131A                      | >0.90        | <20% | 2,700°               | >80 | 1,050  | 70   | 90°        |
| LED-DL56-015-120V-ADIM-830 | 15    | 0.131A                      | >0.90        | <20% | 3,000°               | >80 | 1,080  | 72   | 90°        |
| LED-DL56-015-120V-ADIM-841 | 15    | 0.131A                      | >0.90        | <20% | 4,100°               | >80 | 1,110  | 74   | 90°        |
| LED-DL56-015-120V-ADIM-850 | 15    | 0.131A                      | >0.90        | <20% | 5,000°               | >80 | 1,140  | 76   | 90°        |
| LED-DL56-020-120V-ADIM-827 | 20    | 0.174A                      | >0.90        | <20% | 2,700°               | >80 | 1,360  | 68   | 90°        |
| LED-DL56-020-120V-ADIM-830 | 20    | 0.174A                      | >0.90        | <20% | 3,000°               | >80 | 1,400  | 70   | 90°        |
| LED-DL56-020-120V-ADIM-841 | 20    | 0.174A                      | >0.90        | <20% | 4,100°               | >80 | 1,440  | 72   | 90°        |
| LED-DL56-020-120V-ADIM-850 | 20    | 0.174A                      | >0.90        | <20% | 5,000°               | >80 | 1,480  | 74   | 90°        |

### SPECIFICATIONS

- LED Driver ..... Constant Current
- Dimming System ..... 120VAC Analog/Triac
- Power Supply ..... 350mA
- Start Method ..... InstantON
- Hot Re-start ..... InstantON
- Input Line Voltage ..... 120 VAC
- Input Line Frequency ..... 50/60 Hz
- Ballast Off-State Draw ..... 0 Watts
- Sound Rating ..... Class A
- LED / Driver System Life ..... 40,000 Hrs.
- Lumen Maintenance @25,000Hrs ..... > 70%
- Color Temperature ..... Various
- Color Rendering Index (CRI) ..... > 80
- Minimum Starting Temperature ..... -10°C
- Maximum Starting Temperature ..... 45°C
- Lumens per Watt ..... > 65
- Shock / Vibration Resistant ..... Yes
- Power Factor ..... > 0.90
- Total Harmonic Distortion ..... < 20%
- Damp Location ..... Yes
- UL Listed ..... Yes
- FCC Compliance ..... Part 15, Subp. C
- Warranty ..... 5 Year

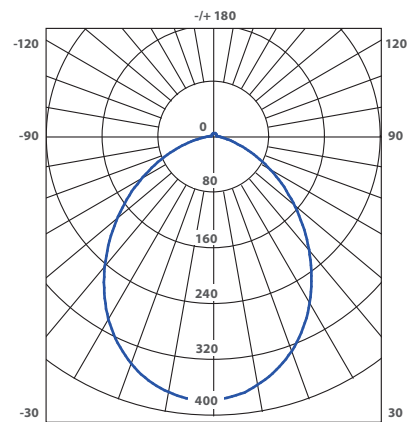
### MOUNTING (See Complete Installation Instructions)



- For existing 6" in. diameter cans / downlights
- For screw-in Medium (E26) base socket

### PHOTOMETRICS

Polar Intensity Diagram



Unit: cd  
Average Beam Angle (50%): 92.1 DEG