

Incredible **40,000 hrs**

### GENERAL DESCRIPTION

Neptun's 4" LED Downlight Retrofit kits feature rugged design and versatility to make it an excellent choice for new construction or retrofit applications. The LED-DL4 series retrofit kit features excellent optics for increased visibility. The 120V Analog/Triac dimming ensures increased energy savings. Offered in a variety of wattages and color temperatures, it can replace existing Incandescent systems up to 60 Watts.

### APPLICATION

- Hotel Lighting
- Soffit Lighting
- Hallway Lighting
- Office Lighting
- Corridor Lighting

### STRUCTURE, MATERIALS, & FEATURES

- Frosted polycarbonate lens over LED's for even illumination.
- Cast aluminum heat sink and frame for excellent thermal management.
- Flicker Free Analog/Triac dimming system operates on 120VAC.
- Offered in various color temperatures. (2700°, 3000°K, 4100°K, 5000°K)
- Supplied with E26 base adapter to easily install in existing can lighting.
- Instant-On flicker-free Cold Start and Hot Re-Start.
- High power factor, low THD driver.
- High Output LED's.
- Up to 15 year maintenance free operation.
- 5 Year Warranty.

### ORDERING INFORMATION

Sample Number: LED-DL4-009-120V-ADIM-827  
Custom options and accessories available. Please consult factory

Series	Wattage	Driver	Color Temp
LED-DL4 = 4" Downlight Retrofit	009 = 09 W 012 = 12 W	120V-ADIM = 120VAC Analog/Triac Dimming	827 = 2700°K 830 = 3000°K 841 = 4100°K 850 = 5000°K



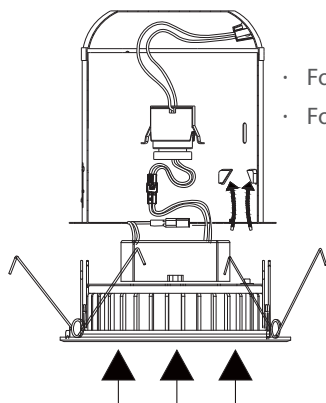
### PRODUCT INFORMATION

Model No.	Watts	Input Line Current @ 120VAC	Power Factor	THD	Color Temp. CCT (°K)	CRI	Lumens	Lm/W	Beam Angle
LED-DL4-009-120V-ADIM-827	9	0.078A	>0.90	<20%	2,700°	>80	720	80	90°
LED-DL4-009-120V-ADIM-830	9	0.078A	>0.90	<20%	3,000°	>80	740	82	90°
LED-DL4-009-120V-ADIM-841	9	0.078A	>0.90	<20%	4,000°	>80	760	84	90°
LED-DL4-009-120V-ADIM-850	9	0.078A	>0.90	<20%	5,000°	>80	780	86	90°
LED-DL4-012-120V-ADIM-827	12	0.105A	>0.90	<20%	2,700°	>80	900	72	90°
LED-DL4-012-120V-ADIM-830	12	0.105A	>0.90	<20%	3,000°	>80	920	76	90°
LED-DL4-012-120V-ADIM-841	12	0.105A	>0.90	<20%	4,000°	>80	940	78	90°
LED-DL4-012-120V-ADIM-850	12	0.105A	>0.90	<20%	5,000°	>80	960	80	90°

### SPECIFICATIONS

- LED Driver ..... Constant Current
- Dimming System ..... 120VAC Analog/Triac
- Power Supply ..... 350mA
- Start Method ..... InstantON
- Hot Re-start ..... InstantON
- Input Line Voltage ..... 120 VAC
- Input Line Frequency ..... 50/60 Hz
- Ballast Off-State Draw ..... 0 Watts
- Sound Rating ..... Class A
- LED / Driver System Life ..... 40,000 Hrs.
- Lumen Maintenance @25,000Hrs ..... > 70%
- Color Temperature ..... Various
- Color Rendering Index (CRI) ..... > 80
- Minimum Starting Temperature ..... -10°C
- Maximum Starting Temperature ..... 45°C
- Lumens per Watt ..... > 70
- Shock / Vibration Resistant ..... Yes
- Power Factor ..... > 0.90
- Total Harmonic Distortion ..... < 20%
- IP Rating ..... IP20
- UL Listed ..... Yes
- FCC Compliance ..... Part 15, Subp. C
- Warranty ..... 5 Year

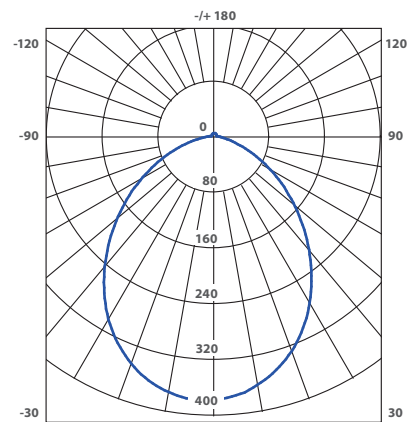
### MOUNTING (See Complete Installation Instructions)



- For existing 4" in. diameter cans / downlights
- For screw-in Medium (E26) base socket

### PHOTOMETRICS

Polar Intensity Diagram



Unit: cd  
Average Beam Angle (50%): 92.1 DEG