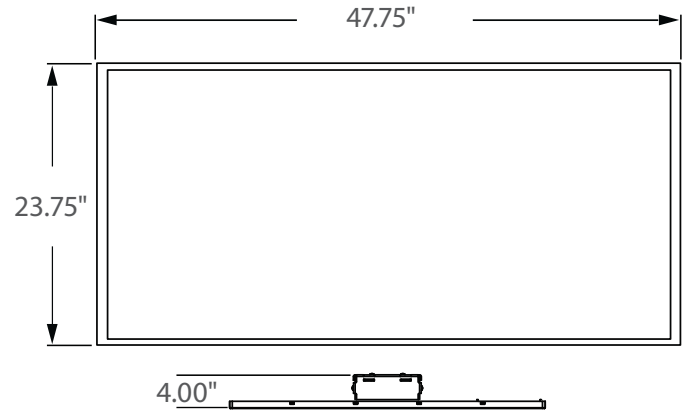




EDGE LIT



Incredible **70,000 hrs**

GENERAL DESCRIPTION

Neptun's high performance Edge Lit LED 2 x 4 drop in panels combine architectural form and versatility to make it an excellent choice for new construction or retrofit applications. The 52 series panels are offered in a variety of color temperatures for flexibility in all types of applications. The edge lit design produces an evenly illuminated glow. Very low temperature operation saves on HVAC costs and long life greatly reduces maintenance costs. Easily installs into most commonly used T-Bar grids.

APPLICATION

- Office Lighting
- School Lighting
- Healthcare Lighting

STRUCTURE, MATERIALS, & FEATURES

- Heat sink aluminum frame for excellent heat dissipation.
- Aluminum backing for excellent thermal management.
- Polyester powder coated frame with white finish.
- Slim, state of the art, low profile design.
- Correlated Color Temperatures of 3500°K, 4100°K, & 5000°K.
- 90 PCS High Output LED's.
- High power factor, low THD driver.
- InstantON flicker-free Cold Start and Hot Re-Start.
- Up to 15 years Maintenance free operation.
- 5 Year Warranty on complete fixture. (LED's, Driver, & Housing)

ORDERING INFORMATION

Sample Number: LED-52060-UNV-841
 Custom options and accessories available. Please consult factory

Source	Series	Wattage	Voltage	Color Temp.
LED = LED	52 = 2 x 4 panel	060 = 60 W 090 = 90 W	UNV = 120-277 VAC	835 = 3500°K 841 = 4100°K 850 = 5000°K



PRODUCT INFORMATION

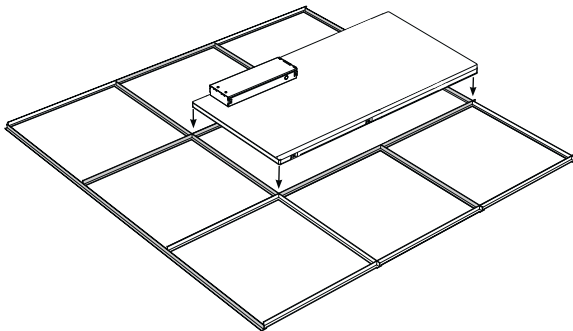
Model No.	Description	Color Temp. (°K)	Rated Watts	Input Watts	Initial Lumens	Universal Line Voltage (VAC)	Max Line Current (Amp) @ 120 - 277	THD	Power Factor
LED-52060-UNV-835	LED 2x4 Ceiling Panel	3,500	60	61	5,100	120-277	0.52 - 0.22	<20%	>0.95
LED-52060-UNV-841	LED 2x4 Ceiling Panel	4,100	60	61	5,100	120-277	0.52 - 0.22	<20%	>0.95
LED-52060-UNV-850	LED 2x4 Ceiling Panel	5,000	60	61	5,100	120-277	0.52 - 0.22	<20%	>0.95
LED-52090-UNV-835	LED 2x4 Ceiling Panel	3,500	90	92	7,650	120-277	0.78 - 0.34	<20%	>0.95
LED-52090-UNV-841	LED 2x4 Ceiling Panel	4,100	90	92	7,650	120-277	0.78 - 0.34	<20%	>0.95
LED-52090-UNV-850	LED 2x4 Ceiling Panel	5,000	90	92	7,650	120-277	0.78 - 0.34	<20%	>0.95

* Fixture Weight = 22 lbs.

SPECIFICATIONS

- LED Driver Constant Current
- Power Supply 350mA
- Start Method InstantON
- Hot Re-start InstantON
- Universal Input Line Voltage 120-277 VAC
- Input Line Frequency 50/60 Hz
- Ballast Off-State Draw 0 Watts
- Sound Rating Class A
- ANSI Surge Protection Class A
- LED / Driver System Life 70,000 Hrs.
- Lumen Maintenance @50,000Hrs > 70%
- Color Temperature 3,500°K, 4,100°K, 5,000°K
- Color Rendering Index (CRI) > 80
- Minimum Starting Temperature -10°C
- Maximum Starting Temperature 40°C
- Lumens per Watt > 85
- Shock / Vibration Resistant Yes
- Power Factor > 0.95
- Total Harmonic Distortion < 20%
- Inrush Current Peak < 10 Amp
- ETL Listed / UL Standard 1598 Yes
- FCC Compliance Part 18, Subp. C
- Warranty 5 Year

MOUNTING OPTIONS



T-BAR GRID SYSTEM

- Easy drop in installation in to standard 2x4 t-bar grid system.
- Power cord whip provided.