

Incredible **50,000** hrs

### GENERAL DESCRIPTION

Neptun's high performance 2 x 2 drop in troffers combine architectural form and versatility to make it an excellent choice for new construction or retrofit applications. The TR22 series panels are offered in a variety of color temperatures for flexibility in all types of applications. Its compact, lightweight design easily accommodates recessed or suspended installations. Very low temperature operation saves on HVAC costs and long life greatly reduces maintenance costs. Its 0-10V dimming system allows for 100%-0% light output for increased energy savings. Easily installs into most commonly used T-Bar grids.

### APPLICATION

- Office Lighting
- School Lighting
- Healthcare Lighting

### STRUCTURE, MATERIALS, & FEATURES

- Heat sink aluminum frame for excellent heat dissipation.
- Aluminum backing for excellent thermal management.
- Polyester powder coated frame with white finish.
- Diffused polycarbonate reflector for even glow.
- Slim, state of the art, low profile design.
- Correlated Color Temperatures of 3000°K, 4100°K, & 5000°K.
- High Output LED's.
- High power factor, low THD driver.
- InstantON flicker-free Cold Start and Hot Re-Start.
- Up to 15 years Maintenance free operation.
- 5 Year Warranty on complete fixture. (LED's, Driver, & Housing)
- **Optional:** Analog/Triac Dimming, 0-10V Dimming, Remote Monitoring, Emergency Battery Backup

### ORDERING INFORMATION

Sample Number: LED-TR22-025-UNV-0-10VDIM-841  
Custom options and accessories available. Please consult factory

Series	Wattage	Driver	Accessories	Color Temp.
LED-TR22 = 2 x 2 Troffer	025 = 25 W	UNV = 120-277 VAC UNV-0-10VDIM = 120-277 VAC w/ 0-10V Dimming Driver 120V-ADIM = 120VAC Analog/Triac Dimming Driver * Contact Factory for Dimming Options	EM-BB = Emergency Backup	830 = 3000°K 841 = 4100°K* 850 = 5000°K * Standard



### PRODUCT INFORMATION

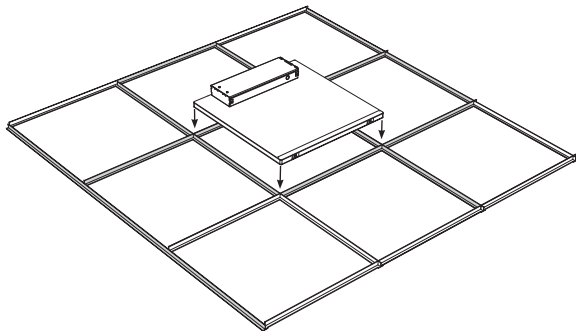
Model No.	Description	Rated Watts	Input Watts	Initial Lumens	Universal Line Voltage (VAC)	Max Line Current (Amp) @ 120 - 277	THD	Power Factor	Beam Angle
LED-TR22-025-UNV	LED 2x2 Troffer	25	26	2,000	120-277	0.19 - 0.08	<20%	>0.90	105°

\* Fixture Weight = 9 lbs.

### SPECIFICATIONS

- LED Driver ..... Constant Current
- Power Supply ..... 350mA
- Driver UL Rating ..... Class 1
- Start Method ..... InstantON
- Hot Re-start ..... InstantON
- Universal Input Line Voltage ..... 120-277 VAC
- Input Line Frequency ..... 50/60 Hz
- Ballast Off-State Draw ..... 0 Watts
- Sound Rating ..... Class A
- LED / Driver System Life ..... 50,000 Hrs.
- Lumen Maintenance @30,000Hrs ..... > 70%
- Color Temperature ..... 3,000°K, 4,100°K, 5,000°K
- Color Rendering Index (CRI) ..... > 80
- Beam Angle ..... 105°
- Minimum Starting Temperature ..... -10°C
- Maximum Starting Temperature ..... 40°C
- Lumens per Watt ..... > 85
- Shock / Vibration Resistant ..... Yes
- Power Factor ..... > 0.90
- Total Harmonic Distortion ..... < 20%
- Inrush Current Peak ..... < 10 Amp
- FCC Compliance ..... Part 15, Subp. C
- Warranty ..... 5 Year

### MOUNTING OPTIONS



#### T-BAR GRID SYSTEM

- Easy drop in installation in to standard 2x2 t-bar grid system.
- Power cord / whip provided.