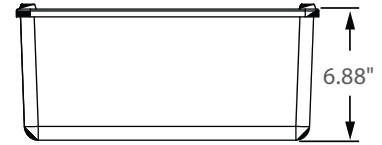
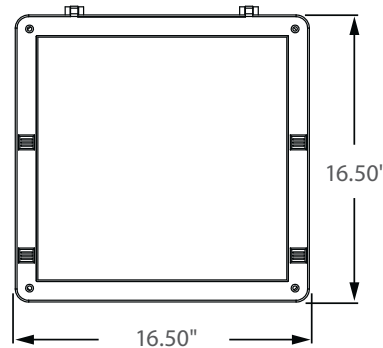




Please check latest update for complete information.  
[http://www.designlights.org/solidstate.about.QualifiedProductsList\\_Publicv2.php](http://www.designlights.org/solidstate.about.QualifiedProductsList_Publicv2.php)



Incredible **75,000 hrs**

### GENERAL DESCRIPTION

Neptun's 16" LED shoebox combines classic form and versatility to make it an excellent choice for new construction or retrofit applications. The LED-16 series shoebox fixture is offered in a variety of wattages and mounting options to provide maximum flexibility in all types of applications. It can replace existing HID & HPS fixtures up to 400W.

### APPLICATION

- Parking Lot Lighting
- Car Lot Lighting
- Area & Storage Lighting
- Street Lighting
- Walkway Lighting
- Building Accent Lighting

### STRUCTURE, MATERIALS, & FEATURES

- Heavy-gauge, die-cast aluminum housing.
- Heat and impact resistant sealed glass lens.
- Integral structural support plate for mounting arm ensures strength.
- Corrosion resistant electrocoat dark bronze finish (custom colors available).
- Hinged aluminum door frame incorporates stainless steel hardware.
- Continuous silicone gasketing surrounds lens for weather - tight seal.
- Correlated Color Temperature of (5000°K) for greater visibility and safety.
- High Output COB Cree LED's.
- High power factor, low THD driver.
- InstantON flicker-free Cold Start and Hot Re-Start.
- Up to 15 years Maintenance free operation.
- 10 Year Warranty on complete fixture. (LED's, Driver, & Housing)
- **Optional:** Bi-Level Dimming, 0-10V Dimming, Remote Monitoring and ON/ OFF Control, DC 24V Operation - Solar Compatible

### ORDERING INFORMATION

Sample Number: LED-16100-UNV-0-10VDIM-SA6-850-T3-LD-BRZ  
 Custom options and accessories available. Please consult factory.

Series	Wattage	Voltage	Mounting	Color Temp	Distribution	Accessories	Color
<b>LED-16</b> = 16" Shoebox	<b>080</b> = 80 W <b>100</b> = 100 W <b>120</b> = 120 W <b>150</b> = 150 W	<b>UNV</b> = 120-277 VAC <b>347V</b> = 347 VAC <b>480V</b> = 480 VAC <b>24VDC</b> = 24V DC <b>BL-DIM</b> = Bi-Level Dimming * <b>0-10VDIM</b> = 0-10V Dimming *	<b>SA6</b> = 6" Side Arm <b>SA12</b> = 12" Side Arm <b>WM6</b> = 6" Wall Mount <b>WM12</b> = 12" Wall Mount <b>SA6R</b> = 6" Side Arm - Round Pole Adapter <b>SA12R</b> = 12" Side Arm - Round Pole Adapter	<b>830</b> = 3000°K <b>841</b> = 4100°K <b>850</b> = 5000°K * * Standard	<b>T3</b> = Type 3 <b>T5</b> = Type 5	<b>LD</b> = Twistlock Photocell <b>MD</b> = Motion Sensor	<b>BRZ</b> = Dark Bronze * Custom Colors Available

\*Add to UNV part#

\* See Pg. 2 for suggested mounting



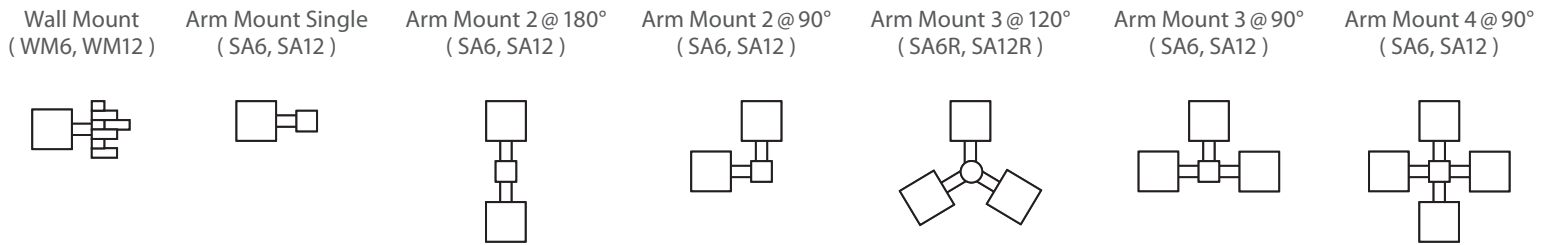
### PRODUCT INFORMATION

Model No.	Description	Rated Watts	Input Watts	Initial Lumens	Universal Line Voltage (VAC)	Max Line Current (Amp) @ 120 - 277	THD	Power Factor	Weight
LED-16080-UNV	LED Parking Lot Fixture	80	82	8,200	120-277	0.69 - 0.30	<20%	>0.90	25 lbs
LED-16100-UNV	LED Parking Lot Fixture	100	102	9,486	120-277	0.87 - 0.37	<20%	>0.90	25 lbs
LED-16120-UNV	LED Parking Lot Fixture	120	122	11,590	120-277	1.05 - 0.45	<20%	>0.90	25 lbs
LED-16150-UNV	LED Parking Lot Fixture	150	153	13,770	120-277	1.31 - 0.56	<20%	>0.90	25 lbs

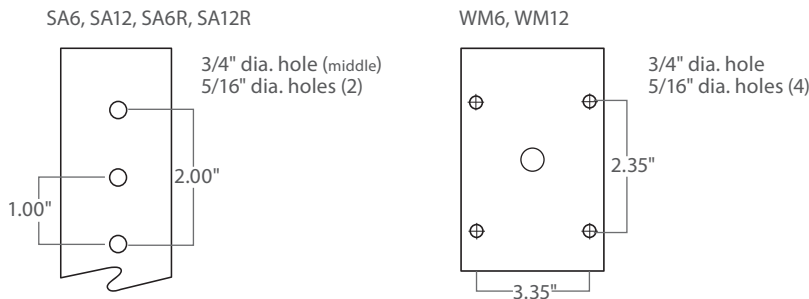
### SPECIFICATIONS

- LED Driver ..... Constant Current
- Power Supply ..... 350mA
- Start Method ..... InstantON
- Hot Re-start ..... InstantON
- Universal Input Line Voltage ..... 120-277 VAC
- Input Line Frequency ..... 50/60 Hz
- Ballast Off-State Draw ..... 0 Watts
- Sound Rating ..... Class A
- ANSI Surge Protection ..... Class A
- LED / Driver System Life ..... 75,000 Hrs.
- Lumen Maintenance @50,000Hrs ..... > 70%
- Color Temperature ..... 5,000°K
- Color Rendering Index (CRI) ..... > 80
- Minimum Starting Temperature ..... -40°C
- Maximum Starting Temperature ..... 50°C
- Lumens per Watt ..... > 90
- Shock / Vibration Resistant ..... Yes
- Power Factor ..... > 0.90
- Total Harmonic Distortion ..... < 20%
- Inrush Current Peak ..... < 10 Amp
- ETL Listed / UL Standard 1598 ..... Yes
- FCC Compliance ..... Part 18, Subp. C
- EPA Rating ..... 0.78
- IP Rating ..... IP65
- Warranty ..... 10 Year

### MOUNTING CONFIGURATION



### DRILLING PATTERNS



### PHOTOMETRICS (See Complete IES File)

